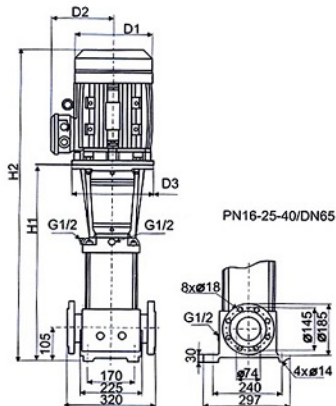


## Vertical Multistage Centrifugal in - line Pump

### Dimensions and weights - PCR 32



### General Specification

Output size:	25 to 125 mm
Capacity:	0.7-180 m <sup>3</sup> /hr
Head:	275 m
Operation Temperature:	-15 to +120
Main Connection (1-[v/Hz]):	220-240 V, 50 Hz
Main Connection (3-[v/Hz]):	380-415 V, 50 Hz
Insulation Class:	F
Enclosure Class:	IP 55
Ambient Temperature:	50°C

Pump type	Motor		Pump Flanges (mm)	PCR					Net weight (kg)
	P [KW]	rpm		Dimension(mm)					
				DIN flange		D1	D2	D3	DIN flange
PCR 32-1-1	1.5	2900	65	H1	H2				D1
PCR 32-1	2.2			504	79	177	141	280	
PCR 32-2-2	3			504	795	177	141	280	84.2
PCR 32-2	4			574	935	197	147	280	87.6
PCR 32-3-2	5.5			574	900	220	161	280	110.2
PCR 32-3	5.5			644	1006	235	197	300	110.2
PCR 32-4-2	7.5			644	1006	235	197	300	119.5
PCR 32-4	7.5			714	1112	235	197	300	119.5
PCR 32-5-2	11			714	1112	235	197	300	163.3
PCR 32-5	11			894	1399	318	245	350	163.3
PCR 32-6-2	11			894	1399	318	245	350	166.3
PCR 32-6	11			964	1469	318	245	350	166.3
PCR 32-7-2	15			964	1469	318	245	350	179.5
PCR 32-7	15			1034	1544	318	245	350	179.5
PCR 32-8-2	15			1034	1544	318	245	350	182.6
PCR 32-8	15			1104	1614	318	245	350	182.6
PCR 32-9-2	18.5			1104	1614	318	245	350	210.6
PCR 32-9	18.5			1174	1794	318	245	350	210.6
PCR 32-10-2	18.5			1174	1794	318	245	350	212.7
PCR 32-10	18.5			1244	1794	318	245	350	213.7
PCR 32-11-2	22			1244	1794	318	245	350	258.8
PCR 32-11	22			1314	1894	358	265	350	258.8
PCR 32-12-2	22			1314	1894	358	265	350	260.8
PCR 32-12	22			1384	1964	358	265	350	260.8
PCR 32-13-2	30			1384	1964	358	265	350	328.2
PCR 32-13	30			1454	2114	420	295	400	328.2
PCR 32-14-2	30			1454	2114	420	295	400	331.3
PCR 32-14	30			1524	2184	420	295	400	331.3